

SECURAM

PROLOGIC L62



ProLogic L62 Safe Lock

The ProLogic L62 is a very reliable, highly advanced safe lock system ideal for the most demanding commercial applications. The ProLogic L62 is a full featured safe lock system that incorporates wireless connectivity for easy audit download to Wireless Link or viewable on the onboard OLED screen for local management.

Simple to Use • Reliable

- OLED Menu system guides the user through access and programming procedures.
- View Audit trail records on screen or download wirelessly to Wireless Link.
- Every SECURAM lock undergoes a 2,000 cycle quality management program before it leaves the manufacturing facility. Unprecedented commitment to quality and reliability.

Features

- OLED Screen for easy programming
- 30 User Codes: 2 Manager Codes, and 28 User Codes
- Super Code for programming management and control
- 6 or 8 Digit Code
- 500 Event Date/Time stamped audit trail
- Wireless audit download to Wireless Link+
- Time Delay 0-99min; Time Window 1-15min
- Time Delay Override Codes -selectable
- Recovery Code
- Single or Dual Control Modes
- Enable/Disable User Codes
- Max Door Open Time - Alert
- Dual Mode Group - set some users in Dual mode
- Auto DayLight Savings Time
- Can Control up to 4 locks w/ Lock Sequencing
- Can be paired with any SECURAM Lock
- Standard footprint makes for easy retrofit
- Finishes: Chrome



WIRELESS LINK

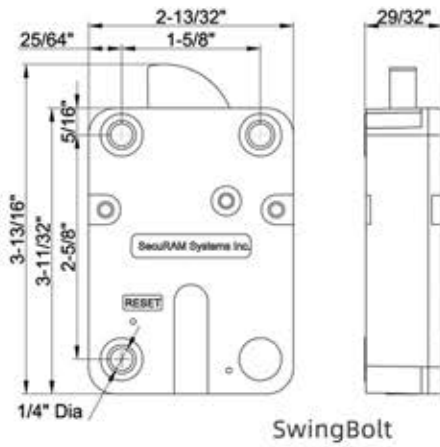
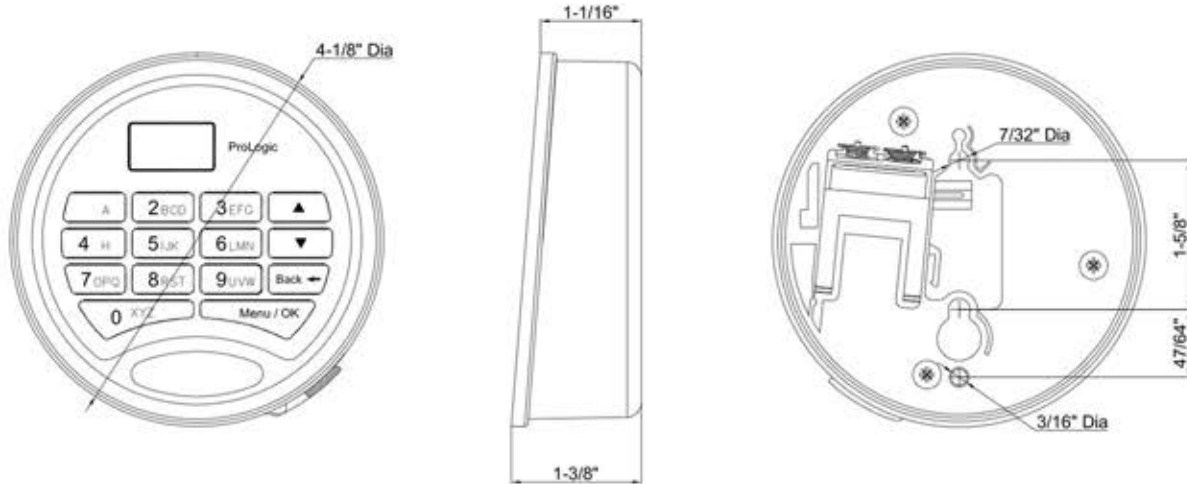
+Audit Software Package including Wireless Link
Part # WSK-Audit
sold separately

Part # EC-2001A-L62-C-II-CH

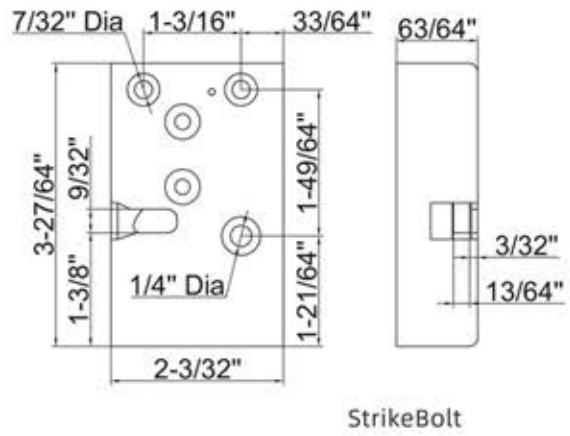
SECURAM

SECURAM

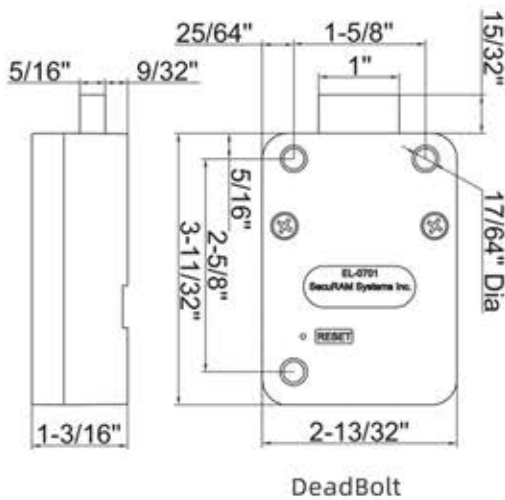
www.securamsys.com



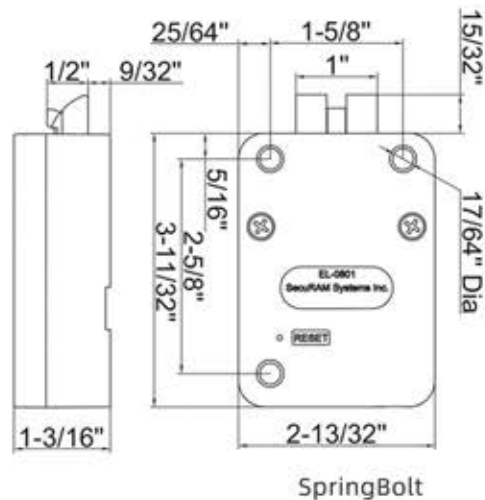
SwingBolt



StrikeBolt



DeadBolt



SpringBolt

Specifications

Power Supply	(1) 9V Alkaline Battery (Duracell)
Battery Life Span	About one year
Code Length	6-8 Digits
Standby Current	<50uA
Battery Low Voltage	5.4+/-0.2V
Operating Humidity	90% Maximum

