

# SECURAM

# SAFELOGIC BACKLIT



## SafeLogic BackLit Safe Lock

The SafeLogic BackLit is a very reliable and robust safe lock system ideal for most applications. The SafeLogic BackLit features SECURAM's rugged stainless steel construction. This EntryPad also features BackLighting making access easy in dimly lit areas.

### Simple to Use • Reliable

- Enter your 6 digit code and turn the safe handle. That's it.
- Easy keypad programming allows for code changes, additions, and deletions. Enable and Disable function also available.
- Battery Changes are simple.
- Every SECURAM lock undergoes a 2,000 cycle quality management program before it leaves the manufacturing facility.
- Unprecedented commitment to quality and reliability.

### Features

- BackLit EntryPad
- 2 User Codes
- Manager Code
- User Code
- 6 Digit Code
- Penalty LockOut after 4 incorrect codes
- Stainless Steel EntryPad Housing
- Can be paired with any SECURAM Lock
- Simple Mechanical Reset
- Standard footprint makes for easy retrofit
- SureLock Battery Management
- Finishes:
  - Chrome
  - Brass
  - Black Chrome

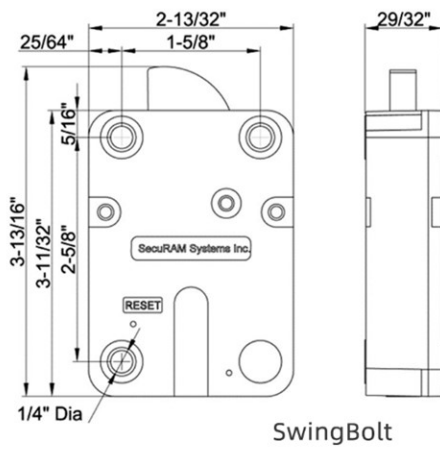
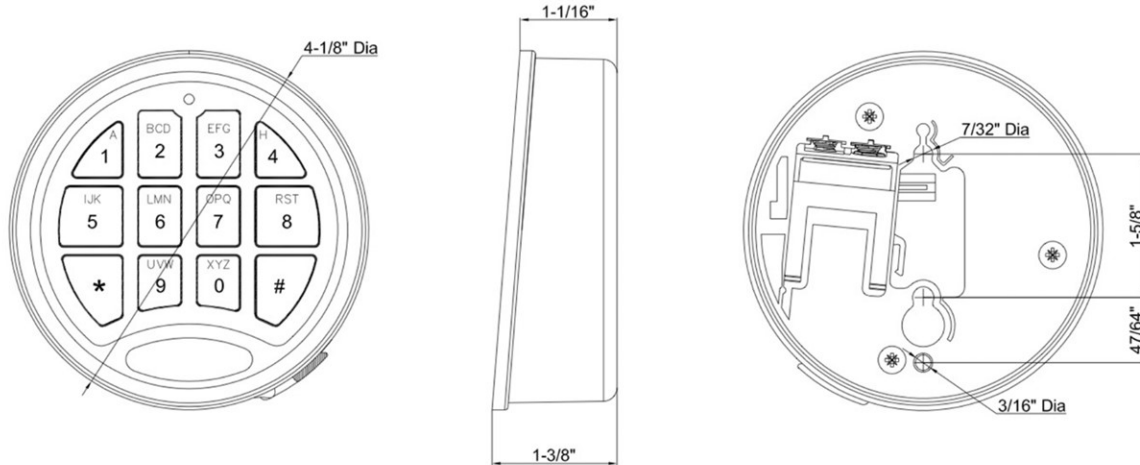


**Entrypad visible  
in the dark**

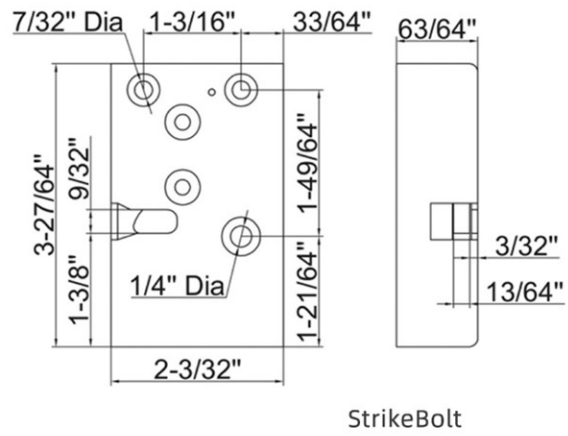
Part # EC-0601A-BL-II

SECURAM

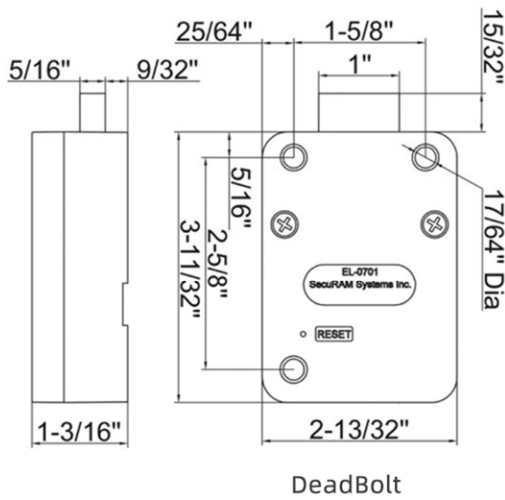
# SECURAM



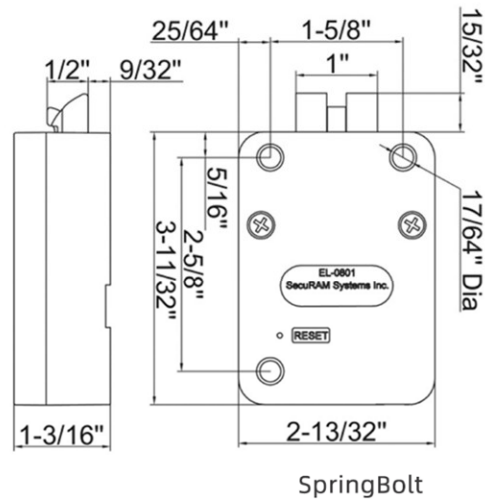
SwingBolt



StrikeBolt



DeadBolt



SpringBolt

## Specifications

Power Supply	(1) 9V Alkaline Battery (Duracell)
Battery Life Span	About one year
Code Length	6 Digits
Standby Current	<50uA
Battery Low Voltage	5.4+/-0.2V
Operating Humidity	90% Maximum

