

Electronic Combination Controller

Model SafeLogic Direct Drive: Comprised of keypad model EM-1701A and the following lock DL-1701

Installation Instructions

Date: 2020-09-10
Version No.: V1.020190125(A)
SECURAM Systems, Inc.

Mounting recommendations

1. Never remove the lock body cover. Removal of the cover voids product warranty.
2. Modifications on the lock body are not recommended and will void warranty.
3. Use a brand new 9V ALKALINE 6LR61 battery only. Recommend using Energizer™ or Duracell™ brand.
4. A minimum of 1-2mm of space is required between the flat end of the bolt and the safe's blocking bar or cam plate when the safe's boltwork is fully locked position. This is because of the depression on the bolt may not allow it to be retracted and may lead to inconsistent lock operations. (Fig. 8)
5. Make sure the lock body is fully operational before closing the safe door for the first time.
6. Entrypad Base is installed outside the safe door and mounted with two Entrypad Base Mounting Screws provided by the factory. Entrypad is magnetic fixed to the Entrypad Base. Lock Body is installed inside the safe door and mounted with three Lock Mounting Screws provided by the factory. Entrypad and Lock Body are connected with a 4-wire cable (Fig. 1).

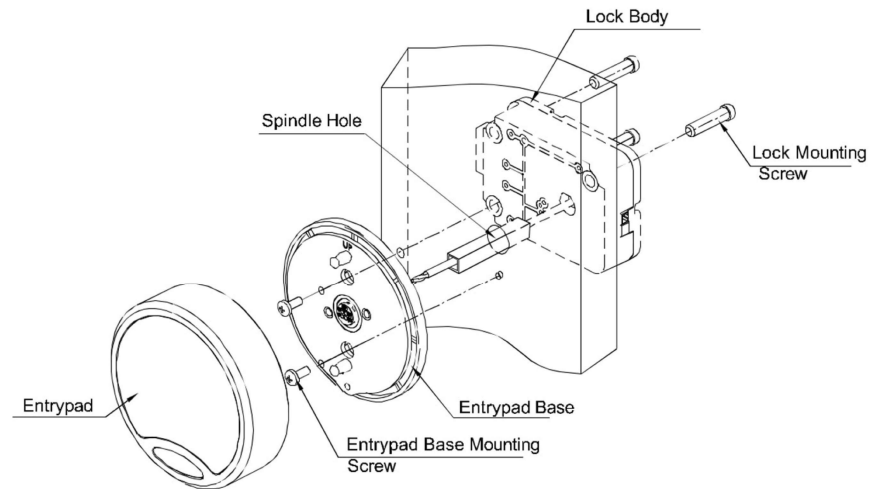


Fig.1

Note: All dimensions are in millimeters

7. Drill and tap two mounting holes for two M4(US Standard 8-32 UNC 2B) screws, one spindle hole on the safe front door or plate. Make sure three holes' center should be in one vertical line. The maximum diameter of the hole for the spindle is 15mm. Big holes are not permissible. (Fig. 2)
8. Drill and tap three mounting holes for three M6 screws(US Standard 1/4"-20 UNC) on the safe's mounting plate. (Fig. 3) Define the mounting position of the lock body based on the safe inner structure. If mounted as shown in Fig 1., Hole A needs to be against spindle hole.
9. Determine the Door Thickness (DT) distance from the mounting surface for the Lock Body to the mounting surface for the EntryPad. Cut the spindle to Door Thickness (DT) +9/16" (13mm), see Fig. 4. The spindle must be smooth to prevent damage to the cable.

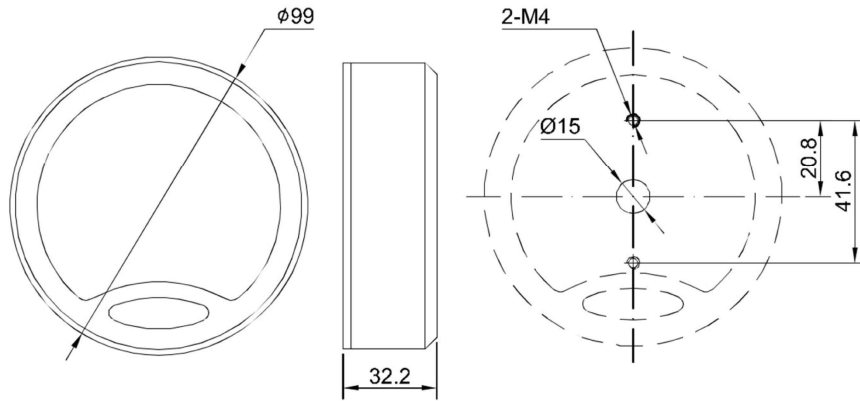


Fig. 2

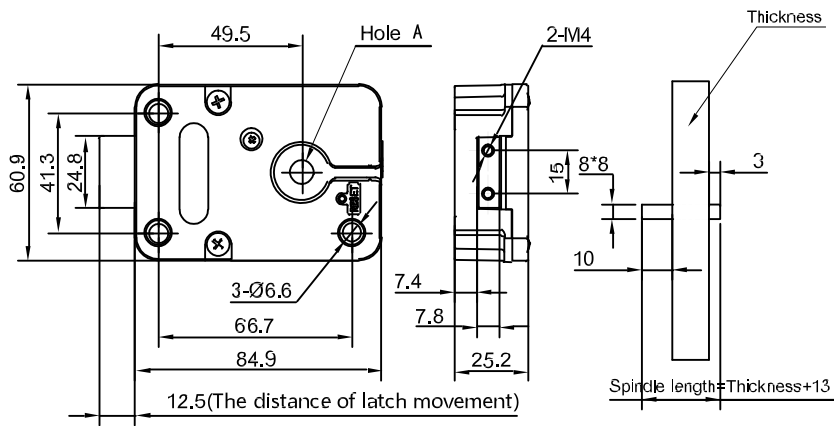


Fig. 3

Fig. 4

Note: All dimensions are in millimeters

Install Entrypad Base:

1. Route the end of the cable through the spindle. Make sure the spindle hole has no sharp edges that may damage the cable. Gently pull the 4-wire cable through the spindle.
2. Insert the spindle into the Entrypad Base (Fig.5)
3. Route the spindle with the cable through the spindle hole in the safe door.
4. Use two M4 screws to mount the Entrypad base, with "UP" sign faced up, (Fig. 6)

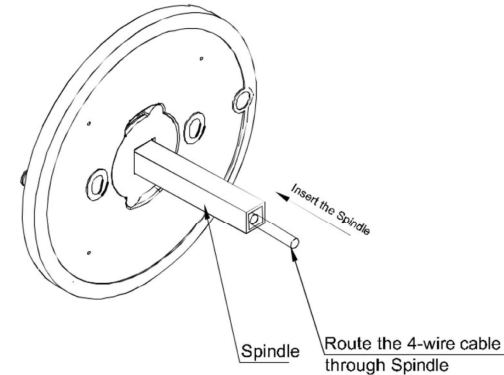


Fig. 5

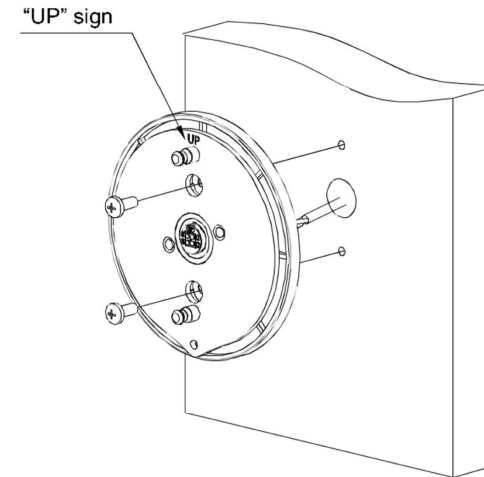


Fig. 6

Note: All dimensions are in millimeters

Install the lock body:

1. Carefully insert the spindle with the cable through the center spindle hole of the lock body.
2. Use three mounting M6 (US Standard 1/4"-20 UNC) screws provided by the factory to screw down the lock body to the mounting plate. (Fig. 8) It is important to make sure there is a distance of 1-2mm between the flat end of the bolt and the safe's blocking bar or plate. (Fig. 8)
3. Gently pull on the cable to ensure there is no excess cable in the hole. (Fig. 7)

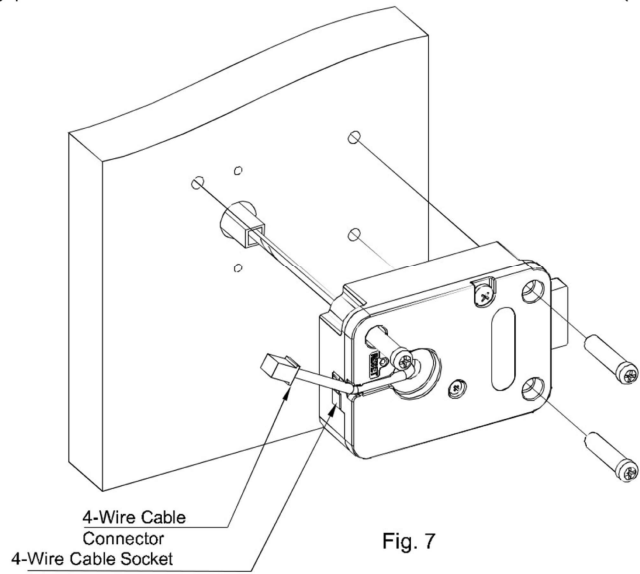
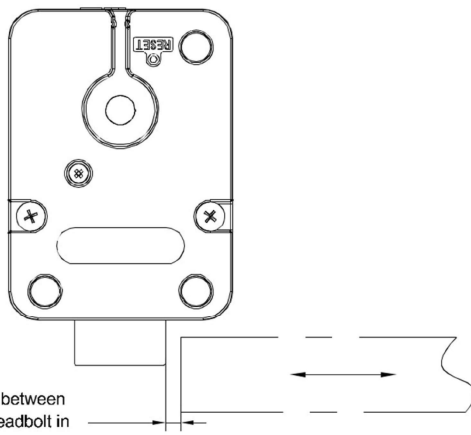


Fig. 7



Keep 1-2mm space between the plate and the deadbolt in locked position.

Fig. 8

Note: All dimensions are in millimeters

4. Install the two plastic protective holders provided by the factory to fix the cable in the round groove. (Fig. 10). It is important to make sure the protective holders are securely in place to protect the cable from being damaged.
5. Place the cable in the groove as shown. (Fig. 11).
6. Press the connector into the socket on the lock body. Make sure the connector is securely in place. (Fig. 9)

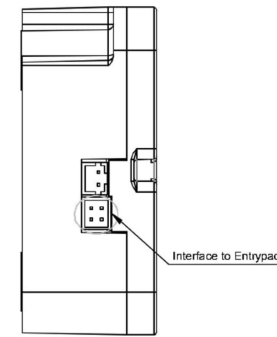


Fig. 9

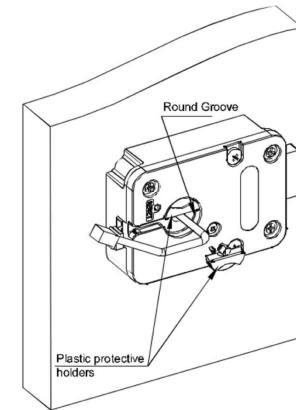


Fig. 10

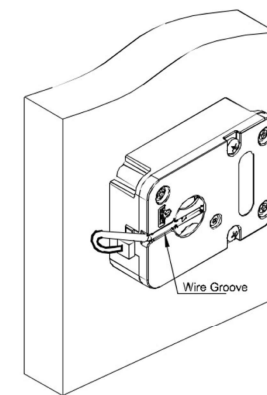


Fig. 11

Note: All dimensions are in millimeters

Install Entrypad and Test:

1. Install the battery with the correct orientation as indicated by the "+" and "-". (Fig. 12)
2. Attach the Entrypad to Entrypad base with two pins on the Entrypad Base matching the two pin holes on the back of the Entrypad (Fig.13 & 14).
3. The installation is complete. Do not close the safe door until the controller has been successfully operated at least three times in a row. Refer to the user's manual that was packaged with your controller.

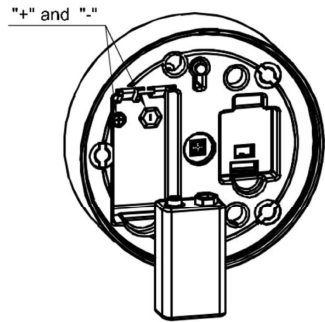


Fig. 12

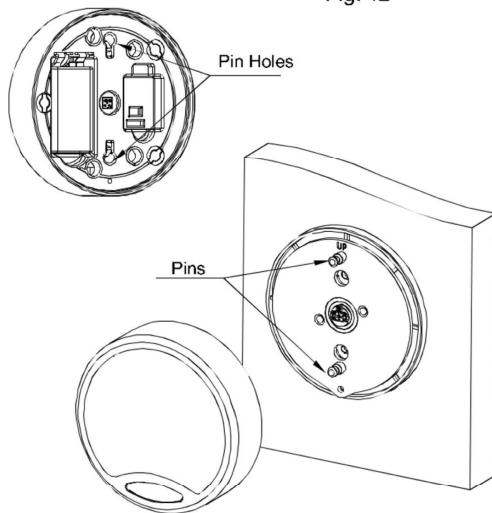


Fig. 13

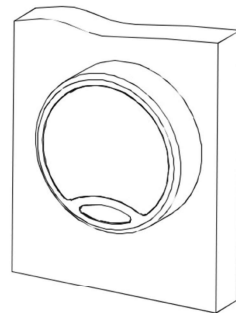


Fig. 14

Note: All dimensions are in millimeters