

SECURAM

SAFELOGIC TOPLIT



SafeLogic TopLit Safe Lock

The SafeLogic TopLit is a very reliable and economical safe lock system ideal for most applications. The SafeLogic TopLit features SECURAM's interchangeable ring as well as top lighting for improved access in dimly-lit locations. With the interchangeable ring, you can switch from Chrome to Brass in a flash - just replace the ring.

Simple to Use • Reliable

- Enter your 6 digit code and turn the safe handle. That's it.
- Easy keypad programming allows for code changes, additions, and deletions. Enable and Disable function also available.
- Battery Changes are simple. Turn EntryPad ring counterclockwise to remove. Then slide out 9 Volt Battery from its compartment.
- Every SECURAM lock undergoes a 2,000 cycle quality management program before it leaves the manufacturing facility. Unprecedented commitment to quality and reliability.

Features

- TopLit EntryPad
- 2 User Codes
- Manager Code
- User Code
- 6 Digit Code
- Penalty LockOut after 4 incorrect codes
- Removable Ring - Color Change
- Polycarbonate EntryPad Housing
- Can be paired with any SECURAM Lock
- Simple Mechanical Reset
- Standard footprint makes for easy retrofit
- Finishes:
 - Chrome
 - Brass



Brass

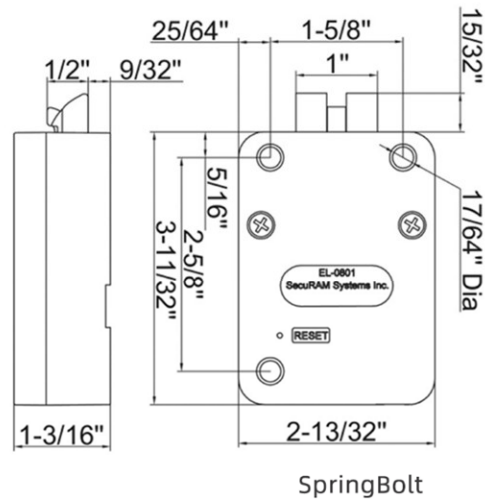
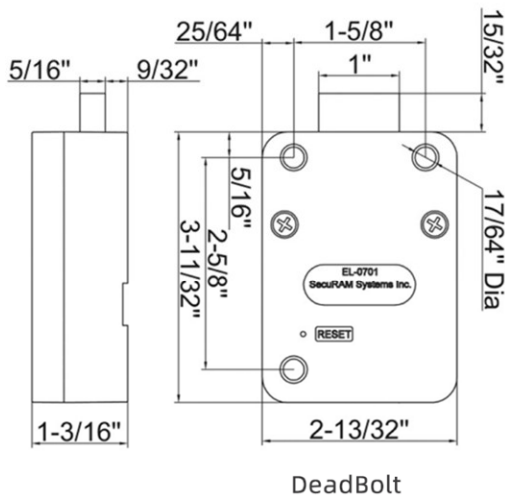
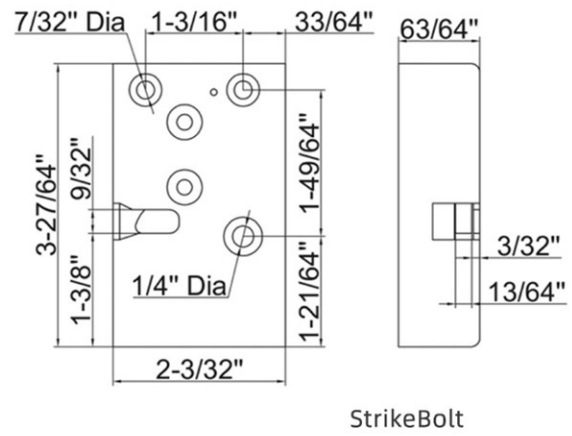
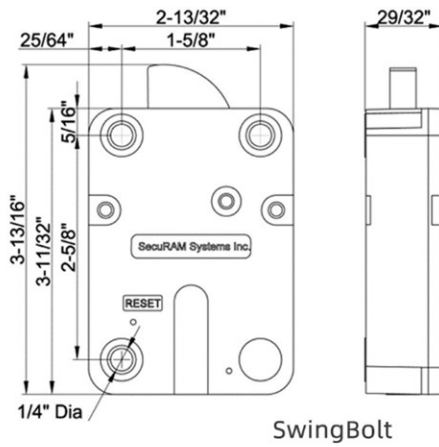
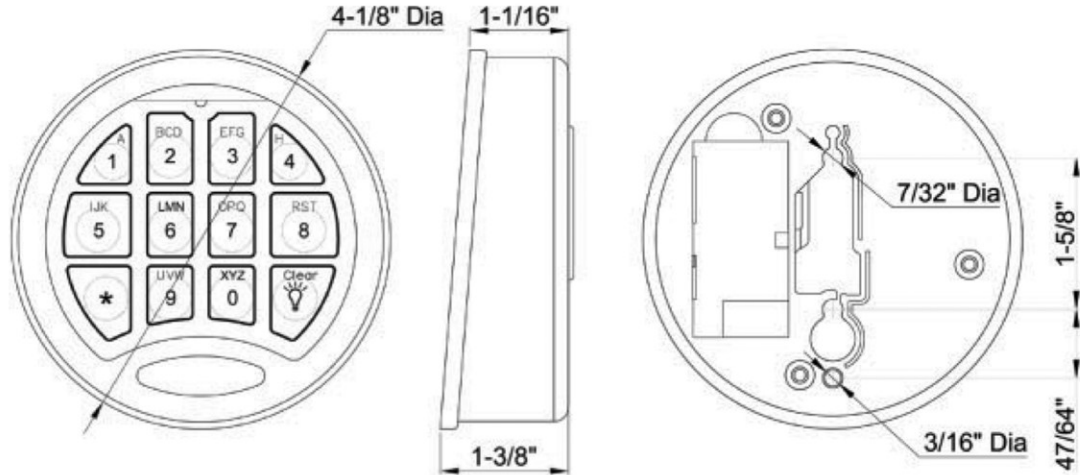


Chrome



Removable Ring for
easy finish change

SECURAM



Specifications

Power Supply	(1) 9V Alkaline Battery (Duracell)
Battery Life Span	About one year
Code Length	6 Digits
Standby Current	<50uA
Battery Low Voltage	5.4+/-0.2V
Operating Humidity	90% Maximum