

SECURAM

SCANLOGIC OPTICAL



ScanLogic Optical Safe Lock

The ScanLogic Optical is a very reliable and robust biometric safe lock system ideal for commercial applications. The ScanLogic Optical features SECURAM's rugged stainless steel construction, and optical fingerprint authentication.

Simple to Use • Reliable

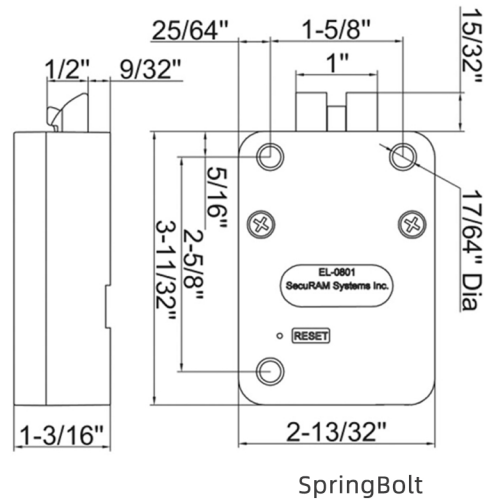
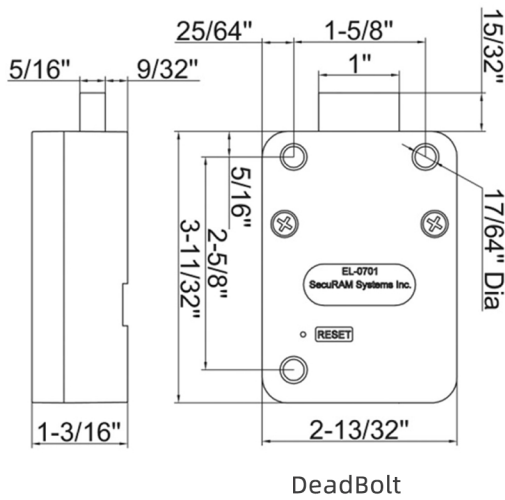
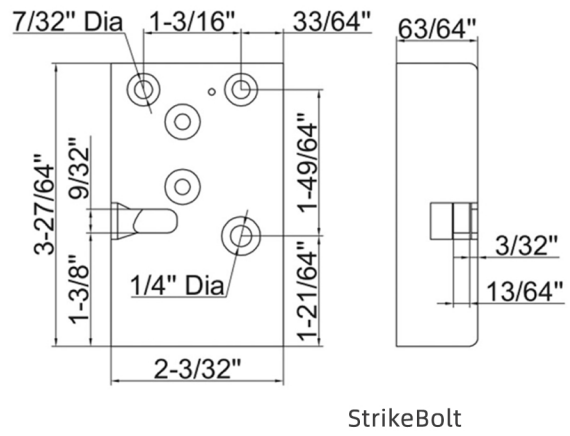
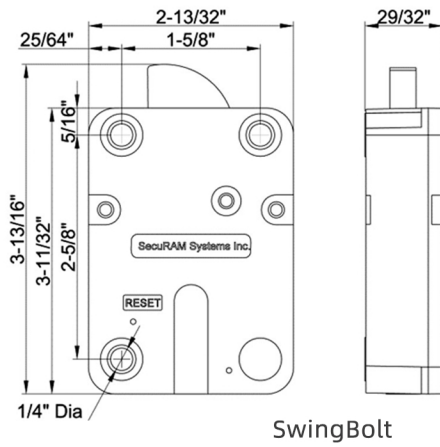
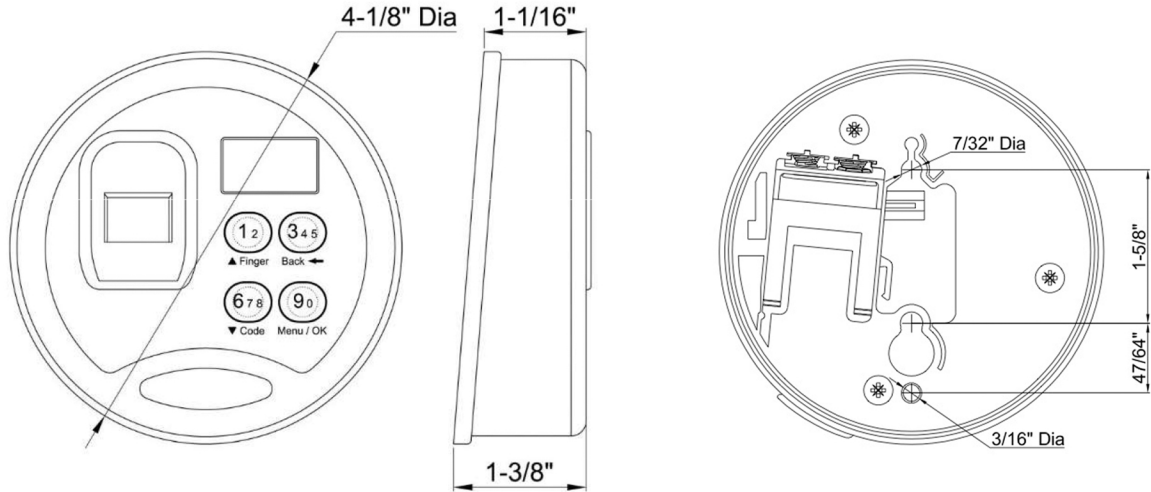
- Place your registered finger on the optical reader and turn the safe handle. That's it.
- Easy fingerprint enrollment process.
- Open with fingerprint and/or code.
- ScanLogic Optical supports 30 fingerprints and 30 codes.
- Every SECURAM lock undergoes a 2,000 cycle quality management program before it leaves the manufacturing facility. Unprecedented commitment to quality and reliability.

Features

- LCD Screen for easy programming
- 30 Fingerprints & User Codes: 2 Manager Codes, 28 User Codes
- Super Code programming management and control
- 10 Digit Code
- Level 1 - Code Only
- Level 2- Fingerprint & Code
- Level 3 -Fingerprint or Code
- Time Delay 0-99min; Time Window 1-15min
- Time Delay Override Codes
- Recovery Code
- Single or Dual Control Modes
- Enable/Disable User Codes
- Can Control up to 4 locks
- Penalty LockOut after 4 incorrect codes
- Stainless Steel EntryPad Housing
- SureLock Battery Management
- Can be paired with any SECURAM Lock
- Finishes: Chrome (CH), Brass (BR), Black Chrome (BC)

Part # FPC-0601A-II

SECURAM



Specifications

Power Supply	(1) 9V Alkaline Battery (Duracell)
Battery Life Span	About one year
Code Length	10 Digits
Standby Current	<50uA
Battery Low Voltage	5.4+/-0.2V
Operating Humidity	90% Maximum